

# Vari-Lite VL6000 Beam

Designed specifically as the market-leading mid-air effects fixture, the Vari-Lite VL6000 Beam sets a new standard in its class. A large 356mm (14inch) front aperture - using a new exclusive ellipsoid reflector array system - produces a retro style searchlight effect, with a high output tight collimated shaft of light at 6.4°, which exceeds 55,000 lumens. Its lightweight robust construction and stylish compact design, allows the fixture to transport and install easily, while its visual effects and weather guarded design - for limited protection from rain - offer something versatile and truly spectacular for arena applications. The exclusive cloaked transition generator system can be used to create auto-timed fades between color combo to reduce programming time in transitioning colors.



- Static dynamic color system allows the VL6000 Beam to maintain its highest output at all times and gives the operator 18 direct colors from 3 color wheels as well as color mixing to achieve up to 55 full color combinations and endless split color effects.
- Produces a high output, tight collimated shaft of light at 6.4° and 55,000 lumens.
- The exclusive cloaked transition generator system can be used to create auto-timed fades between color combo to reduce programming time in transitioning colors.
- Aerial beam and image projection system consists of a variable iris reducing the 6.4° to near 1° beam angle, mid-air and projected images area produced via 7 interchangeable fully rotatable and indexable gobos, the edge sharpness and image appearance can be further adjusted via the dedicated focus channel.
- Cloud search mode allows the fixture to be operated without the need of a control console for stand alone applications.
- Includes 1500 W short Arc lamp.

For detailed product information, please refer to [www.vari-lite.com/global/products/vl6000-beam](http://www.vari-lite.com/global/products/vl6000-beam)

# Specifications

Due to continuous improvements and innovations, specifications may change without notice.

## Source

LAMP	PHILIPS MSR Gold PGJX50
Source Max Power Consumption	1,500 W
Source CCT	6500 K / 7000 K, depending on lamp
Dimming	Mechanical glass Wheel
Dimmer Curves	Square Law (Default), Linear, S -Curve
Dimmer Control Option	Dimmer Snap On/Off On Increases speed of mechanical shutter override of glass dimmer
Strobe	Mechanical
Strobe Modes	Continuous, Random, Random Sync

## Optical Performance

Beam Angle	6.4°
Output Lumens	55,000
Default Output Color Temperature	6300 or 7000 K
CRI RA	84
Focus	Motorized 16-Bit Control

## Color System

Color Wheel 1	6 Color + Open
Color Wheel 2	6 Color + Open
Color Wheel 3	6 Color + Open
Color Wheel Effects	Reverse Entry Color Wheel Design Split Colors, Cloak Transition Color Generator

## Imaging

Beam Softening	Variable control - Medium Frost
----------------	---------------------------------

## Electrical

Output Power Consumption	2,140 W
Power Connection	Neutrik TrueOne - Power in only Power cable not included - input connector only
Input Voltage	200-240 VAC, 50 / 60 Hz

## Data

Supported Protocols	DMX512-A (RDM) 5 - Pin XLR Input and Thru, USB (Diagnostics - Firmware)
DMX Modes	
16-Bit	23 Channels

## Noise Level / Fan Control

Cooling System Type	Forced Air
---------------------	------------

## Movement

Pan Angle	540°
Tilt Angle	242°

## Mounting

Hanging Type	VL rails
Hanging Centers	622 mm (25.0 in)
Fixture mounting/Hanging orientation	Hanging - Floor - Side (Side hang mode) Side hang mode
Secondary Safety Wire Point	1 x Safety point located on underside of upper enclosure Safety Wire not included

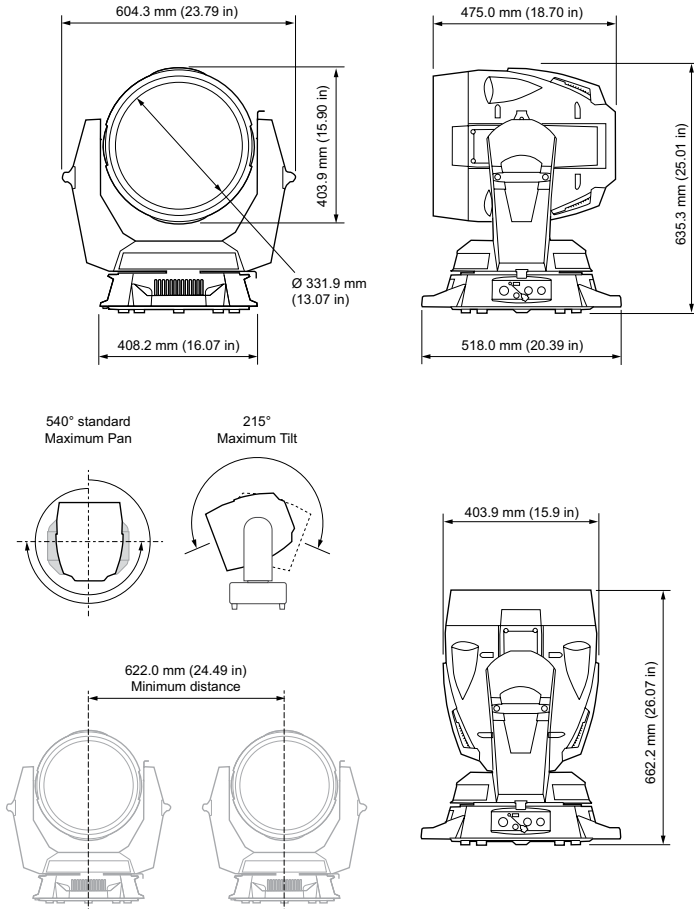
## Certification and Safety

Approbations	CE, ETL, UL, FCC CSA, RoHS, ISO 9001
IP Rating	IP22

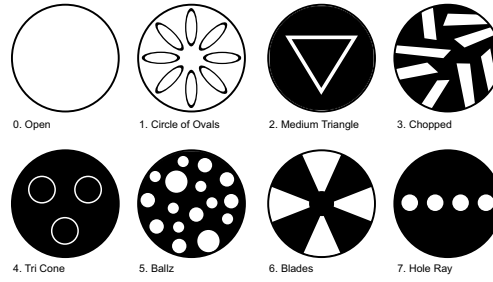
## Photometrics and IES Files

For IES files and photometric reports, please refer to the product page: [www.vari-lite.com/global/products/vl6000-beam](http://www.vari-lite.com/global/products/vl6000-beam)

# Dimensions



## Gobo Wheel 2



## Physical

Construction	Metal frame, Plastic covers
Standard Finish	Black
Dimensions	604 x 662 x 518 mm (24.0 x 26.0 x 20.0 in)
Fixture Weight	28.0 kg (62.0 lb)
Operating Temperature (non-condensing)	-20-50°C (-4-122°F)
Operating Temperature (condensing)	33-50°C (91-122°F)

## Gobo and Effect Wheels

Gobo Wheel 1	6 + Open
	Interchangeable
Material	Metal
Diameter / Thickness	37.5 mm x 0.8 mm
Image Size	29.5 mm
Gobo Wheel Features	MegaStep, Twist, Shake, Wheel Spin

# Luminaire and Accessories

<b>Product type</b>	<b>Order Code</b>
VL6000 BEAM	20.9708.0001
VL6000 BEAM, 1500w Short arc lamp, c/w 2 x VL Rails and power input connector, Black	
<b>Accessories</b>	
GT Truss Rail	22.9708.0835
VL Hanging Rail, 1 x GT Truss drop rail, c/w VL1600, VL4000, VL2600, VLZ series and VL10,	
VL6000 Gobo carrier	10.9708.0212
VL6000 Series, Gobo carrier	
Gobo Retainer	10.9708.0218
VL6000 Series, Gobo retaining spring	