

# Elation Sixpar 200™



## OVERVIEW

The new indoor version SIXPAR 200™ features (12) 12W. 6-IN-1 RGBAW+UV LEDs, 100,000 average hour LED life, 15° beam and 25° field angles, electronic strobe and dimming (0-100%), 5 variable dimming curve modes, dual yoke / floor stand, multiple unit power linking, RDM (remote device management), rugged die-cast aluminum exterior, flicker free operation for TV and FILM, 150W max power consumption, and a multi-voltage universal auto switching power supply (110-250v).



## FEATURES

- Indoor Par Up Light
- (12) 12W 6-in-1 RGBAW+UV LEDs 100,000 Average Hour LED Life
- 15° Beam and 25° Field Angles
- 5 Variable Dimming Curve Modes Dual Yoke /
- Floor Stand
- Multiple Unit Power Linking
- RDM - Remote Device Management Rugged Die-Cast Aluminum Exterior Flicker Free Operation for TV and FILM





## SPECIFICATIONS

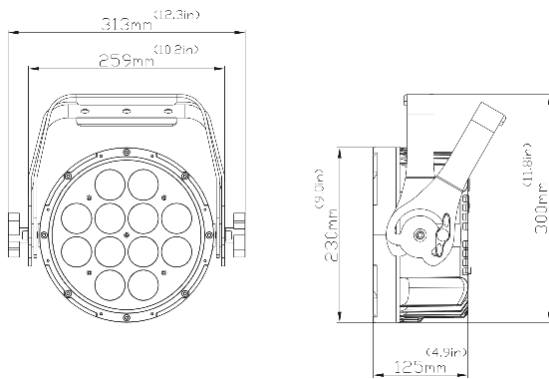
<b>SOURCE</b>	
(12) 12W 6-in-1 RGBAW+UV LEDs	
100,000 Hour Average LED Life	
<b>PHOTOMETRIC DATA</b>	
22,250 LUX 2.067 FC @3.3' (1m) (15° Full ON)	
5,600 LUX 520 FC @6.6' (2M) (15° FULL ON)	
2,500 LUX 232 FC @9.8' (3m) (15° Full ON)	
1,360 LUX 126 FC @13.1' (4m) (15° Full ON)	
930 LUX 86 FC @16.5' (5m) (15° Full ON)	
<b>EFFECTS</b>	
Electronic Strobe	
Color and Chase Macros	
Electronic Dimming: 0% - 100%	
5 Variable Dimming Curve Modes	
<b>CONTROL / CONNECTIONS</b>	
(4) DMX Channel Modes (6 / 7 / 8 / 12)	
(4) Button Touch Control Panel	
LCD Menu Display	
3pin & 5pin DMX	
Twist Locking Power Cable	
<b>SIZE / WEIGHT</b>	
Length	12.3" (313mm)
Width	4.9" (125mm)
Vertical Height	11.8" (300mm)
Weight: 12.6 lbs. (5.7 kg)	12.6 lbs. (5.7 kg)
<b>OPTICS AND PHOTOMETRIC DATA</b>	
AC 110-250V - 50/60Hz	
150W Max Power Consumption	
Power Linking	8pcs @110V / 18pcs @240V
5°F to 113°F (-15°C to 45°C)	
<b>APPROVALS / RATINGS</b>	
CE   IP20	
<b>INSTALLATION</b>	



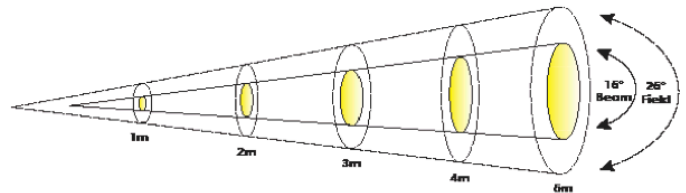
## SPECIFICATIONS

<b>INCLUDED ITEMS</b>	
Twist Locking Power Cable	
<b>OPTIONAL ACCESSORIES</b>	
Trigger Clamp	Heavy Duty Wrap Around Hook Style Clamp
SIXPAR200/GFH	Gel Frame and Holder Kit
SIXPAR/BD200	Barn Door (Gel Frame Holder Kit Required - Not Included)
LSF536	Light Shaping Filter 30° 20" x 24" Sheet
LSF537	Light Shaping Filter 20° 20" x 22" Sheet
LSF538	Light Shaping Filter 60° x 1° 20" x 24" Sheet
LSF559	Light Shaping Filter 10° 20" x 24" Sheet
EWDMXSYSTEM	Wireless DMX System (1 Transmitter, 1 Receiver)
EWDMXT	Wireless DMX Transmitter
EWDMXR	Wireless DMX Receiver
PLC3	3' (1m) Locking PRO Link Cable
AC3PDMX5PRO	5 ft. (1.5m) 5pin PRO DMX Cable
	<i>Additional Cable Lengths Available</i>

## DIMENSIONAL DIAGRAMS



## PHOTOMETRIC DATA



	m		ft		m		ft		m		ft	
	1	3.3	2	6.6	3	9.8	4	13.1	5	16.4		
<b>16° Beam Diameter</b>	0.4	1.3	0.64	2.1	0.85	2.8	1.05	3.4	1.32	4.3		
<b>26° Field Diameter</b>	0.45	1.5	0.88	2.9	1.33	4.4	1.77	5.8	2.21	7.3		
	lux	fc	lux	fc	lux	fc	lux	fc	lux	fc		
<b>RED LEDs</b>	3,380	314	862	80	386	36	195	18	126	12		
<b>GREEN LEDs</b>	5,360	498	1,392	129	632	59	334	31	221	21		
<b>BLUE LEDs</b>	6,710	623	1,755	163	804	75	436	41	288	27		
<b>WHITE LEDs</b>	5,830	542	1,535	143	704	65	375	35	247	23		
<b>AMBER LEDs</b>	2,470	229	645	60	294	27	162	15	102	9		
<b>UV LEDs</b>	1,177	109	308	29	138	13	78	7	49	5		
<b>FULL ON</b>	22,250	2,067	5,600	520	2,500	232	1,360	126	930	86		



## SPECIFICATIONS

<b>THERMAL</b>	
Cooling	Forced air (temperature-regulated, low noise, user-definable levels)
Maximum ambient temperature (Ta max.)	40° C (104° F)
Minimum ambient temperature (Ta min.)	5° C (41° F)
Total heat dissipation (calculated, +/- 10%)	1230 BTU/hr
<b>APPROVALS</b>	
EU safety	EN 60598-2-17 (EN 60598-1), EN 62471
EU EMC	EN 55103-1, EN 55103-2, EN 55015, EN 61547
US safety	UL 1573
US EMCV	FCC Part 15 Class A
Canadian safety	CSA E598-2-17 (CSA E60598-1)
Canadian EMC	ICES-003 Class A
Australia/NZ	C-TICK N4241
<b>INCLUDED ITEMS</b>	
<i>Note that power cables and connectors are not included and must be ordered separately</i>	
M12 bolt suitable for use with Martin rigging clamps	
<b>ACCESORIES</b>	
<b>Power Cables</b>	
Power input cable, H07RN-F, 2.5 mm <sup>2</sup> , 14 AWG, bare ends to Neutrik TRUE1 NAC3FX-W (female), 1.5 m (4.9 ft.)	P/N 91611797
Power input cable, H07RN-F, 2.5 mm <sup>2</sup> , 14 AWG, bare ends to Neutrik TRUE1 NAC3FX-W (female), 5 m (16.4 ft.)	P/N 91611786
Power Throughput Cable, H07RN-F, 2.5 mm <sup>2</sup> , 14 AWG, Neutrik TRUE1 to TRUE1, 0.45 m (1.5 ft.)	P/N 91611784
Power Throughput Cable, H07RN-F, 2.5 mm <sup>2</sup> , 14 AWG, Neutrik TRUE1 to TRUE1, 1.2 m (3.9 ft.)	P/N 91611785
Power Throughput Cable, H07RN-F, 2.5 mm <sup>2</sup> , 14 AWG, Neutrik TRUE1 to TRUE1, 2.5 m (8.2 ft.)	P/N 91611796
<b>Power Connectors</b>	
Cable connector, Neutrik PowerCON TRUE1 NAC3FX-W (female)	P/N 91611789
Cable Connector, Neutrik PowerCON TRUE1 NAC3MX-W (male)	P/N 91611788
<b>Installation hardware</b>	
Quick surface mounting bracket for MAC Aura XB, set of 5	P/N 91606018
G-clamp	P/N 91602003
Half-coupler (tube) clamp	P/N 91602005



## SPECIFICATIONS

Quick trigger clamp	P/N 91602007
<b>FLIGHTCASE</b>	
6-unit flightcase for MAC Aura™	P/N 91515020
<b>OPTICAL ACCESSORIES</b>	
MAC Aura / Aura XB Soft Lens Kit	P/N 91611730
<b>RELATED ITEMS</b>	
Martin USB Duo™ DMX Interface Box	P/N 90703010
Martin DMX 5.3 Splitter™	P/N 90758140
Martin RDM 5.5 Splitter™	P/N 90758150
<b>ORDERING INFORMATION</b>	
MAC Aura XB™ in cardboard box	P/N 90232100
MAC Aura XB™ in 6-unit flightcase	P/N 90232110