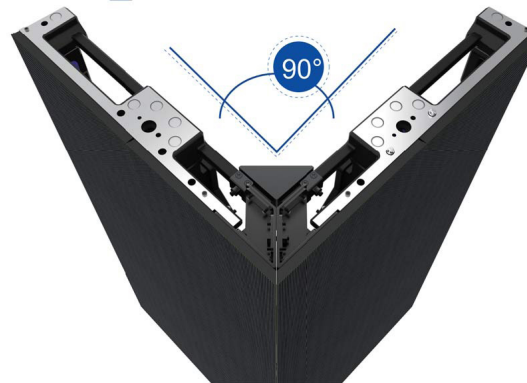


UNILUMIN UPAD 2.6MM LED LED DISPLAY UNIT

The Unilumin UPAD III 2.6mm surface-mount indoor tile creates a new standard in LED boasting a new ultra-lightweight, efficient design. The optional curving plates allow for up to 5 degree convex and 10 degree concave curves, offering both ground support and hanging options. Its 1200 Nits of brightness allows for the LED to hold up under heavily lighted indoor situations without video washout and a smooth display image is achieved with a 2880Hz refresh rate.

Each LED tile measures 19.69" square, and can be built into any size and configuration. The lightweight, 19.8lb tile construction and low power draw make LED screens an achievable solution for just about any application today. UPAD III 2.6mm has the ability to run at either 208V or 120V power, making the lack of high voltage onsite power an issue of the past.



FEATURES | SPECIFICATIONS | BENEFITS

- Pixel Pitch: 2.6mm
- Brightness: 1200nits
- Pixel Config: SMD 3 in 1
- Contrast Ratio: 3000:1
- Refresh Rate: 2880hz
- Optional Curve: (Outer) -5 degrees, (Inner) +10 degrees
- Panel Size: 500 x 500 x 86mm (19.69" x 19.69" x 3.35")
- Panel Weight: 9kg (19.8lbs)
- Panel Resolution: 192x192 pixels
- Power Consumption per sq/m (max/avg): 40W/120W



SHOW TECHNOLOGY